

THIS DRAWING IS UNPUBLISHED. RELEASED FOR PUBLICATION

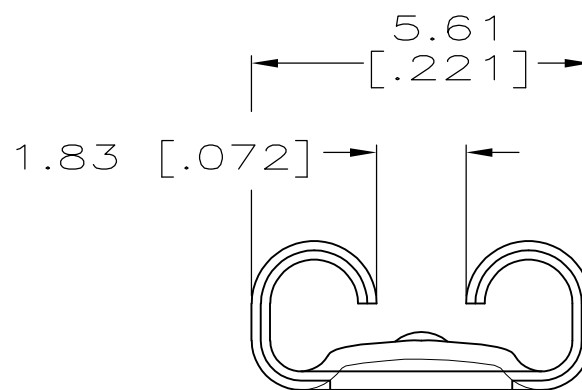
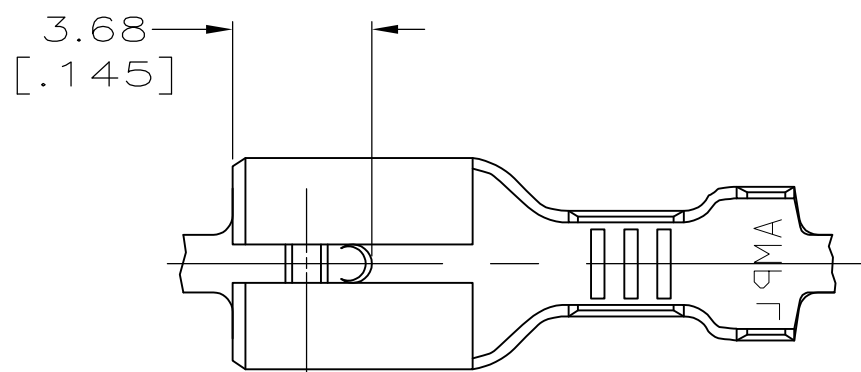
© COPYRIGHT BY TYCO ELECTRONICS CORPORATION. ALL RIGHTS RESERVED.

LOC AF DIST 50

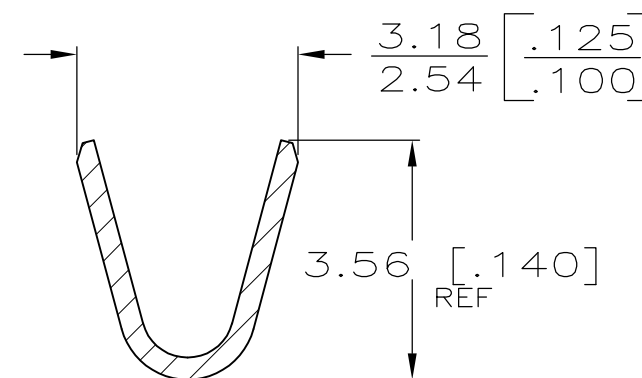
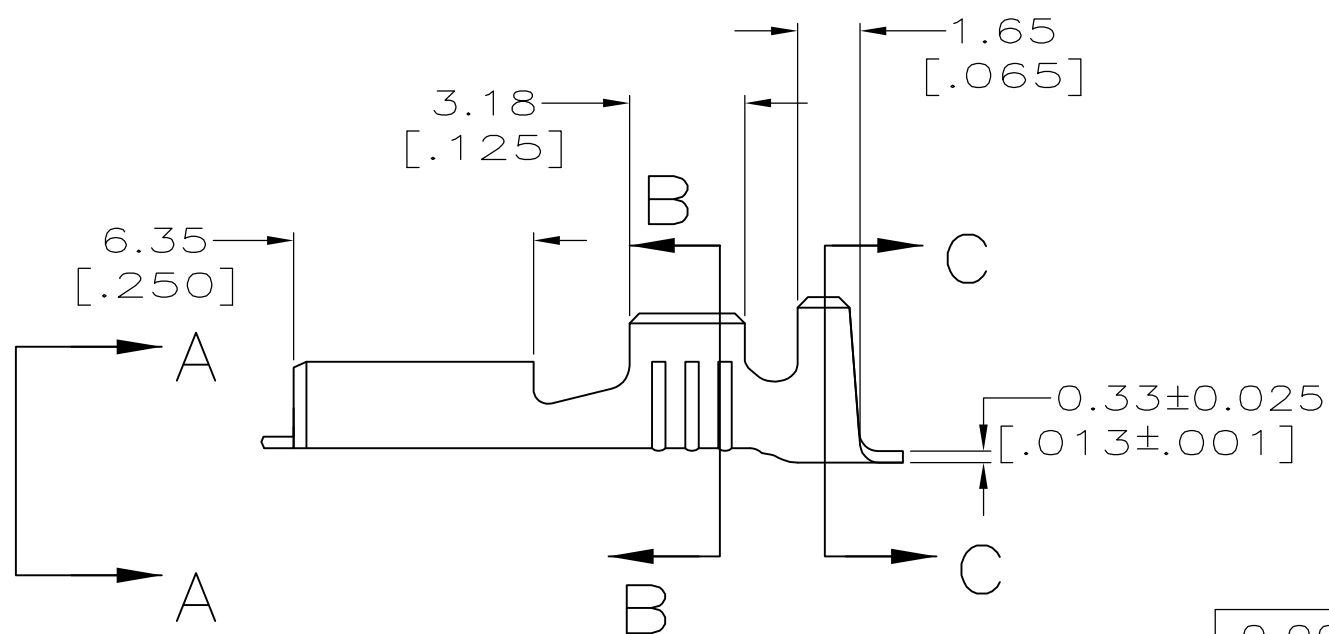
REVISIONS

P	LTR	DESCRIPTION	DATE	DWN	APVD
	F2	REVISED PER ECR-08-012479	20MAY08	HMR	PD

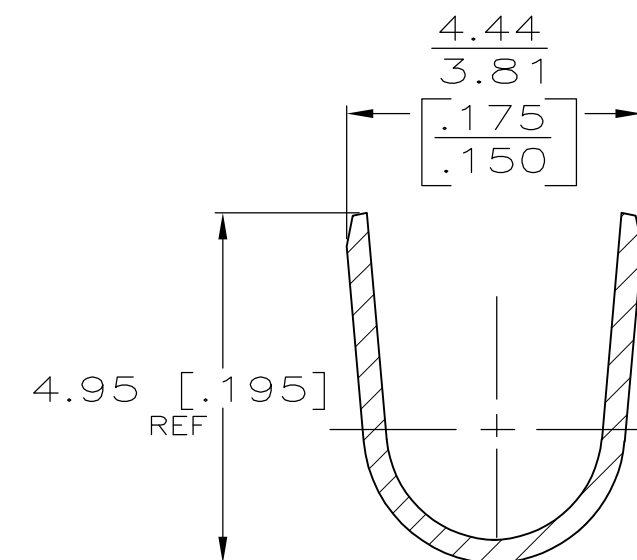
- 1 ACCEPTS WIRE SIZE [#20-#16] AWG.
- 2 INSULATION RANGE IS 2.29-3.30 [.090-.130] DIA.
- 3 CONTINUOUS STRIP ON REELS.
- 4 MATING TAB THK IS 0.813 ± 0.025 [.032±.001].
- 5 SPECIAL PACKAGING
- 6 PRELIMINARY - NOT FOR PRODUCTION



VIEW A-A SCALE 8:1



SECTION B-B SCALE 8:1



SECTION C-C SCALE 8:1

FINISH	MATERIAL	PART NO.
0.002032 [.000080] MIN TIN	PHOS BRONZE	63477-6 6
-	BRASS	5 63477-5 6
0.002032 [.000080] MIN TIN	BRASS	63477-2
-	BRASS	63477-1

THIS DRAWING IS A CONTROLLED DOCUMENT.		DWN JR RUTH 11/9/87	Tyco Electronics Corporation Harrisburg, PA 17105-3608				
DIMENSIONS: INCHES		CHK G YETTER 11/10/87					
TOLERANCES UNLESS OTHERWISE SPECIFIED:		APVD R KUZO 11/10/87	NAME RECEPTACLE, LIF, FASTON, 4.75 [.187] SERIES				
0 PLC ± - 1 PLC ± - 2 PLC ± 0.25 [.010] 3 PLC ± - 4 PLC ± - ANGLES ± -		PRODUCT SPEC -	SIZE A3	CAGE CODE 00779	DRAWING NO C-63477	RESTRICTED TO -	
MATERIAL H04 BRASS		FINISH SEE TABLE	CUSTOMER DRAWING		SCALE 5:1	SHEET 1 OF 1	REV F2